

EVAPORATOR COILS

PRODUCT SPECIFICATIONS

FEATURES

FORM NO. EC/M/U/H1P-100 (08/2013)

All piston coils are compatible with R22 or R410A

All drain pans are compatible with UV lights

EC1P/EM1P - CASED

- Upflow/Counterflow (EC1P) for application flexibility
- Upflow/Horizontal (EM1P) for application flexibility
- Microban® antimicrobial additive in the drain pan to resist mold and mildew growth
- One of the lowest water retention drain pans in the industry to minimize mold and mildew growth
- Insulated galvanized steel coil case with durable embossed finish
- Interlocking door assemblies and snug line seal grommets to minimize air leakage
- External cabinet mounted distributor body designed for easy changing of orifice sizes and fast TXV connections
- Foil-face insulation for easy cleaning
- Two dual drain connections on front of coil for install flexibility of drain lines around furnace vent and utility connections
- Side drain pan built in for easy horizontal coil installations (EM1P only)
- Tubing located at door split for easy coil service or coil cleaning



L Model



M Model

EC1P



L Model



M Model

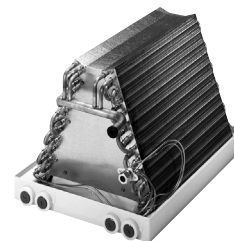
EM1P

"L" Models
painted light gray

"M" Models unpainted

EU1P - UNCASED

- Upflow/Counterflow for application flexibility
- Microban® antimicrobial additive in the drain pan to resist mold and mildew growth
- One of the lowest water retention drain pans in the industry to minimize mold and mildew growth
- Two dual drain connections on front of coil for install flexibility of drain lines around furnace vent and utility connections
- Orifice assembly designed for easy changing of orifice sizes and fast TXV connections



EU1P



EH1P

EH1P - CASED

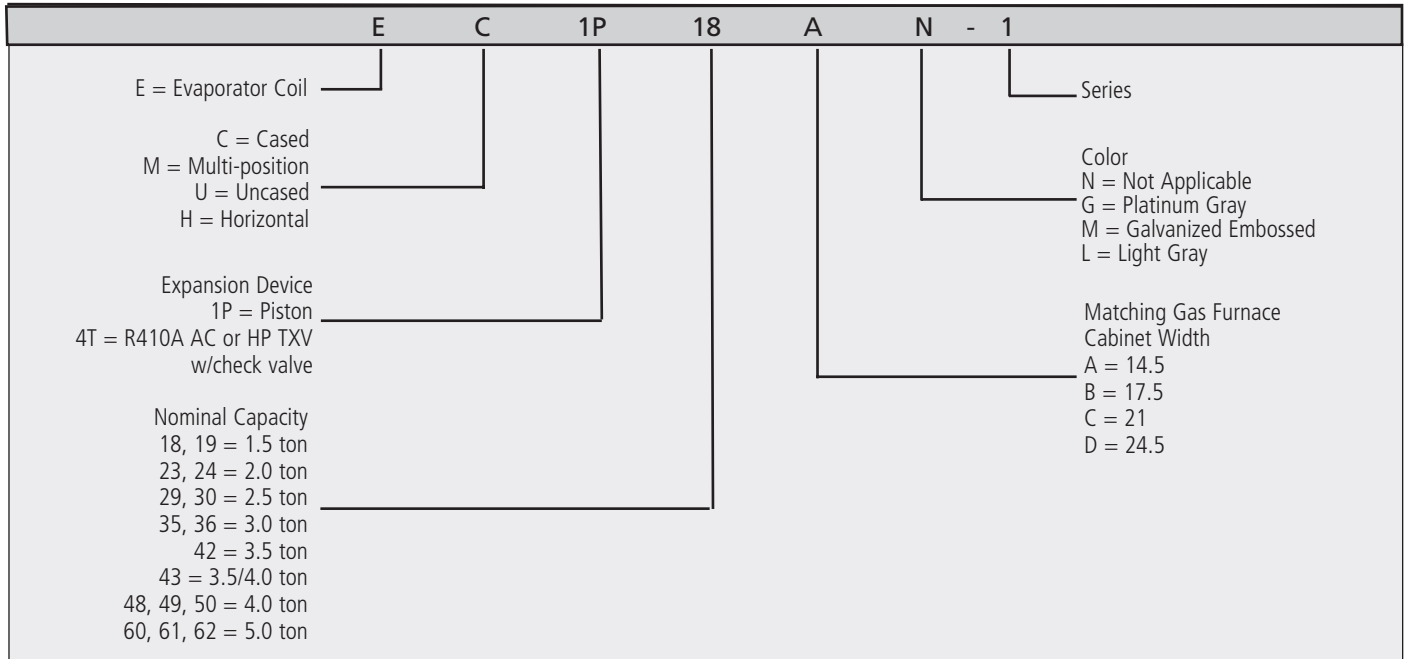
- Dedicated horizontal
- Microban® antimicrobial additive in the drain pan to resist mold and mildew growth
- Drain pan has trough to fully drain condensate away
- Insulated galvanized steel coil case with durable embossed finish
- Top panels are removable for easy service or coil cleaning
- Dual condensate drains on front and back of coil allows flexibility of placement to accommodate left or right airflow furnaces
- Foil faced insulation for easy cleaning
- Refrigerant connections on top of coil for ease of installation in left or right airflow furnaces

WARRANTY

10 year limited parts warranty available when applied with a system. See limited warranty document for details.



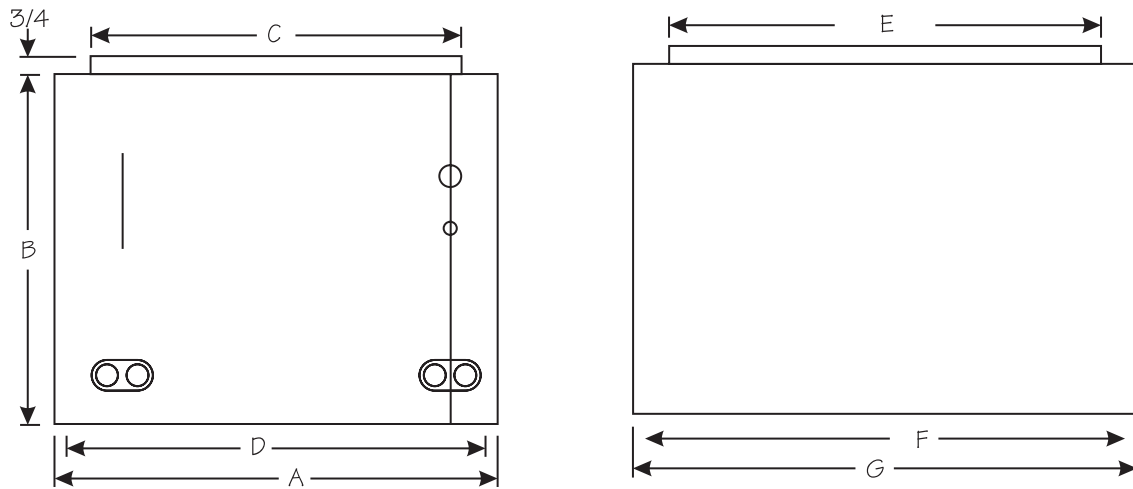
Model Number Guide



Coil Pressure Drop

Evaporator	Wet Coil Pressure Drop CFM									
	600	800	1000	1200	1400	1600	1800	2000	2200	2400
E**19A	.09	.16	.24	--	--	--	--	--	--	--
E**18A,B	.17	.25	.39	.52	--	--	--	--	--	--
E**23A	.10	.18	.26	.36	--	--	--	--	--	--
E**23B	.09	.15	.22	.31	--	--	--	--	--	--
E**24A,B	.12	.21	.30	.43	.55	--	--	--	--	--
E**29A	.08	.13	.20	.28	.37	--	--	--	--	--
E**29B	.06	.11	.16	.23	.31	--	--	--	--	--
E**30A	--	.14	.21	.30	.39	.51	--	--	--	--
E**30B,C	--	.11	.16	.21	.28	.34	--	--	--	--
E**36A	--	.14	.21	.30	.39	.51	--	--	--	--
E**36B	--	.11	.16	.21	.28	.34	--	--	--	--
E**36C	--	.06	.11	.17	.23	.29	--	--	--	--
E**43B	--	--	.13	.18	.24	.31	.40	--	--	--
E**43C	--	--	.09	.12	.16	.20	.24	--	--	--
E**48B	--	--	.13	.18	.24	.31	.40	--	--	--
E**48C	--	--	--	.17	.23	.29	.37	.43	--	--
E**49C	--	--	--	.12	.17	.22	.28	.35	--	--
E**50C	--	--	--	.17	.23	.29	.37	.43	--	--
E**60D	--	--	--	--	.15	.18	.21	.27	.32	.37
E**62C	--	--	--	--	.19	.23	.28	.34	.40	.46
E**62D	--	--	--	--	.15	.18	.21	.27	.32	.37

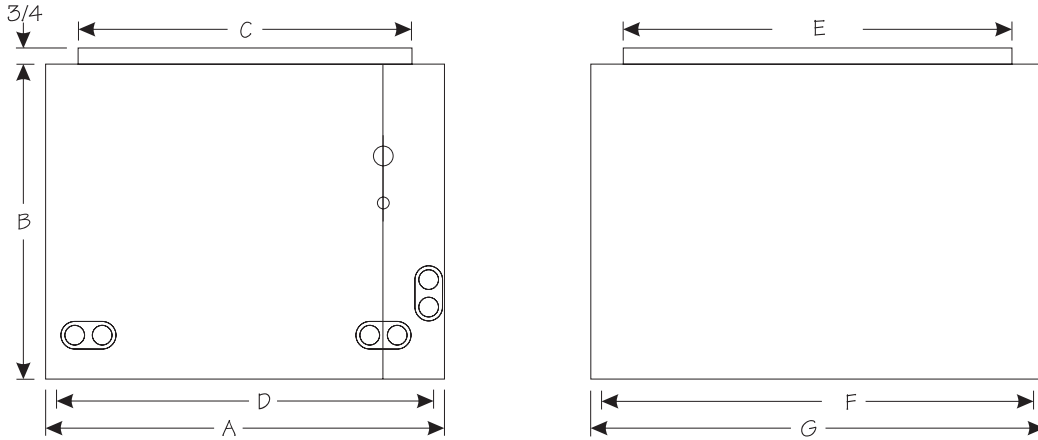
Dimensions - Cased



Model	A (in.)	B (in.)	C (in.)	D (in.)	E (in.)	F (in.)	G (in.)	Orifice	Refrigerant Connections		Weight (lbs.)
									Liquid (in.)	Vapor (in.)	
EC1P18A*	14-1/2	16-1/2	13	13-1/2	18	20-1/2	21	.051	3/8	3/4	31
EC1P19A*	14-1/2	16-1/2	13	13-1/2	18	20-1/2	21	.051	3/8	3/4	35
EC1P23A*	14-1/2	18-1/2	13	13-1/2	18	20-1/2	21	.057	3/8	3/4	39
EC1P23B*	17-1/2	18-1/2	16	16-1/2	18	20-1/2	21	.057	3/8	3/4	41
EC1P24A*	14-1/2	20-1/2	13	13-1/2	18	20-1/2	21	.057	3/8	3/4	37
EC1P24B*	17-1/2	20-1/2	16	16-1/2	18	20-1/2	21	.062	3/8	3/4	40
EC1P29A*	14-1/2	25-1/2	13	13-1/2	18	20-1/2	21	.065	3/8	3/4	47
EC1P29B*	17-1/2	25-1/2	16	16-1/2	18	20-1/2	21	.065	3/8	3/4	49
EC1P30A*	14-1/2	24-1/2	13	13-1/2	18	20-1/2	21	.065	3/8	3/4	45
EC1P30B*	17-1/2	24-1/2	16	16-1/2	18	20-1/2	21	.065	3/8	3/4	46
EC1P30C*	21	24-1/2	19-1/2	20	18	20-1/2	21	.070	3/8	3/4	50
EC1P36A*	14-1/2	24-1/2	13	13-1/2	18	20-1/2	21	.073	3/8	3/4	49
EC1P36B*	17-1/2	24-1/2	16	16-1/2	18	20-1/2	21	.073	3/8	3/4	51
EC1P36C*	21	24-1/2	19-1/2	20	18	20-1/2	21	.073	3/8	3/4	55
EC1P36D*	24-1/2	24-1/2	23	23-1/2	18	20-1/2	21	.076	3/8	3/4	57
EC1P43B*	17-1/2	29-1/2	16	16-1/2	18	20-1/2	21	.076	3/8	7/8	60
EC1P43C*	21	29-1/2	19-1/2	20	18	20-1/2	21	.076	3/8	7/8	63
EC1P48B*	17-1/2	24-1/2	16	16-1/2	18	20-1/2	21	.082	3/8	7/8	52
EC1P48C*	21	24-1/2	19-1/2	20	18	20-1/2	21	.082	3/8	7/8	55
EC1P49C*	21	29-1/2	19-1/2	20	19	21-1/2	22	.093	3/8	7/8	72
EC1P50C*	21	27-1/2	19-1/2	20	18	20-1/2	21	.082	3/8	7/8	66
EC1P60D*	24-1/2	25-1/2	23	23-1/2	18	20-1/2	21	.093	3/8	7/8	66
EC1P62C*	21	31-1/2	19-1/2	20	19	21-1/2	22	.093	3/8	7/8	76
EC1P62D*	24-1/2	29-1/2	23	23-1/2	18	20-1/2	21	.093	3/8	7/8	77

* = G, M, or L

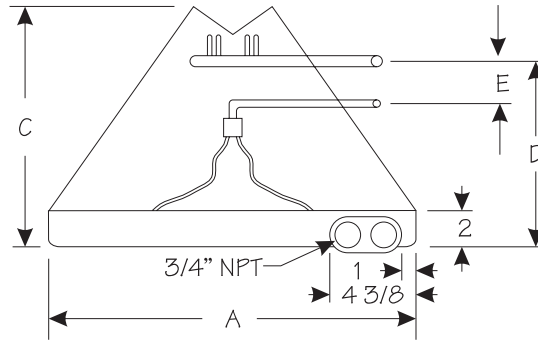
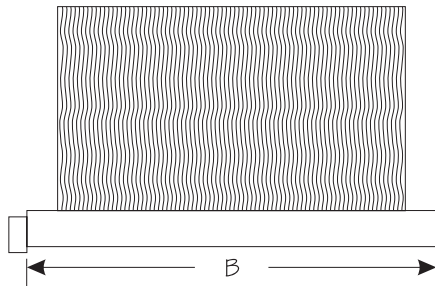
Dimensions - Multi-Position



Model	A (in.)	B (in.)	C (in.)	D (in.)	E (in.)	F (in.)	G (in.)	Orifice	Refrigerant Connections		Weight (lbs.)
									Liquid (in.)	Vapor (in.)	
EM1P18A*	14-1/2	25-1/2	13	13-1/2	19-1/2	20-1/2	21	.051	3/8	3/4	45
EM1P19A*	14-1/2	25-1/2	13	13-1/2	19-1/2	20-1/2	21	.051	3/8	3/4	33
EM1P23A*	14-1/2	25-1/2	13	13-1/2	19-1/2	20-1/2	21	.057	3/8	3/4	40
EM1P23B*	17-1/2	25-1/2	16	16-1/2	19-1/2	20-1/2	21	.057	3/8	3/4	40
EM1P24A*	14-1/2	25-1/2	13	13-1/2	19-1/2	20-1/2	21	.057	3/8	3/4	42
EM1P24B*	17-1/2	25-1/2	16	16-1/2	19-1/2	20-1/2	21	.057	3/8	3/4	42
EM1P29A*	14-1/2	25-1/2	13	13-1/2	19-1/2	20-1/2	21	.065	3/8	3/4	40
EM1P29B*	17-1/2	25-1/2	16	16-1/2	19-1/2	20-1/2	21	.065	3/8	3/4	41
EM1P30A*	14-1/2	25-1/2	13	13-1/2	19-1/2	20-1/2	21	.065	3/8	3/4	42
EM1P30B*	17-1/2	25-1/2	16	16-1/2	19-1/2	20-1/2	21	.065	3/8	3/4	42
EM1P36A*	14-1/2	25-1/2	13	13-1/2	19-1/2	20-1/2	21	.073	3/8	3/4	57
EM1P36B*	17-1/2	25-1/2	16	16-1/2	19-1/2	20-1/2	21	.073	3/8	3/4	57
EM1P36C*	21	25-1/2	19-1/2	20	19-1/2	20-1/2	21	.073	3/8	7/8	57
EM1P43B*	17-1/2	27-1/2	16	16-1/2	19-1/2	20-1/2	21	.076	3/8	7/8	45
EM1P43C*	21	27-1/2	19-1/2	20	19-1/2	20-1/2	21	.076	3/8	7/8	45
EM1P48B*	17-1/2	25-1/2	16	16-1/2	19-1/2	20-1/2	21	.082	3/8	7/8	48
EM1P48C*	21	25-1/2	19-1/2	20	19-1/2	20-1/2	21	.082	3/8	7/8	48
EM1P50C*	21	27-1/2	19-1/2	20	19-1/2	20-1/2	21	.082	3/8	7/8	77

* = G, M, or L

Dimensions - Uncased

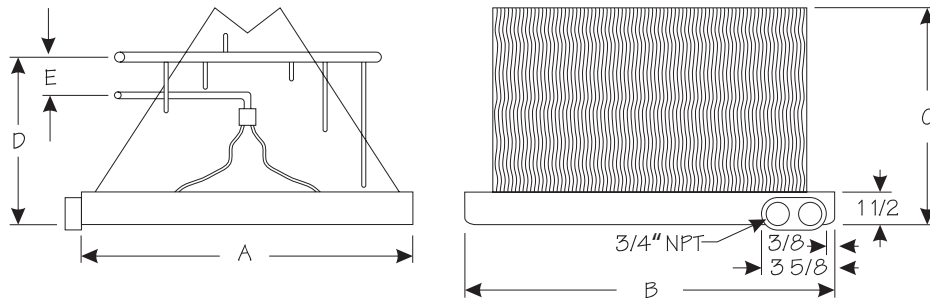


Model	A (in.)	B (in.)	C (in.)	D (in.)	E (in.)	Orifice	Refrigerant Connections		Weight (lbs.)
							Liquid (in.)	Vapor (in.)	
EU1P18AN	13	19-1/2	15	9-1/2	4-1/2	.051	3/8	3/4	18
EU1P19AN	13	19-1/2	15-1/8	9-1/2	4-1/2	.051	3/8	3/4	19
EU1P23AN	13	19-1/2	17-3/16	12-1/2	4-1/2	.057	3/8	3/4	22
EU1P23BN	15-1/2	19-1/2	16-7/8	15-3/4	4-1/2	.057	3/8	3/4	22
EU1P24AN	13	19-1/2	19-3/16	14-1/2	6	.057	3/8	3/4	22
EU1P24BN	15-1/2	19-1/2	18-3/4	14-1/2	6	.057	3/8	3/4	23
EU1P29AN	13	19-1/2	21-1/4	17-1/4	6-1/2	.065	3/8	3/4	24
EU1P29BN	15-1/2	19-1/2	21-1/4	17-1/4	6-1/2	.065	3/8	3/4	25
EU1P30AN	13	19-1/2	23-1/4	17-1/4	6-1/2	.065	3/8	3/4	26
EU1P30BN	15-1/2	19-1/2	23	17-1/4	6-1/2	.065	3/8	3/4	27
EU1P30CN	20	19-1/2	22-1/4	17-1/4	6-1/2	.065	3/8	3/4	29
EU1P36AN	13	19-1/2	23-3/8	17-1/4	6-1/2	.073	3/8	3/4	31
EU1P36BN	15-1/2	19-1/2	23-1/8	17-1/4	6-1/2	.073	3/8	3/4	33
EU1P36CN	20	19-1/2	22-1/2	17-1/4	4-1/2	.073	3/8	3/4	34
EU1P43BN	15-1/2	19-1/2	27-1/4	23-1/4	5-1/2	.076	3/8	7/8	43
EU1P43CN	20	19-1/2	26-3/4	23-1/4	5-1/2	.076	3/8	7/8	44
EU1P48BN	15-1/2	19-1/2	23-1/8	9-1/4	4-1/2	.082	3/8	7/8	33
EU1P48CN	20	19-1/2	22-1/2	9-1/4	4-1/2	.082	3/8	7/8	35
EU1P49CN	19-1/2	21-1/2	28-5/8	15	*3	.093	3/8	7/8	53

* Suction line is above liquid line.

Dimensions - Uncased continued on next page

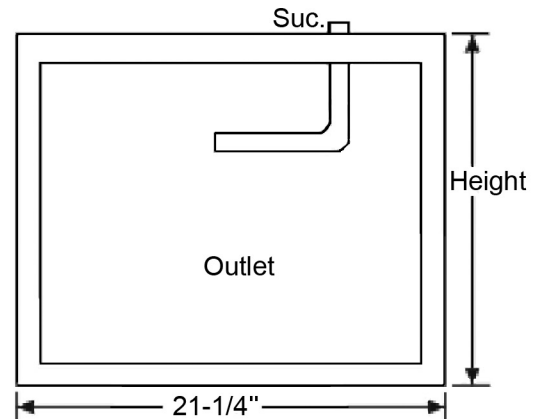
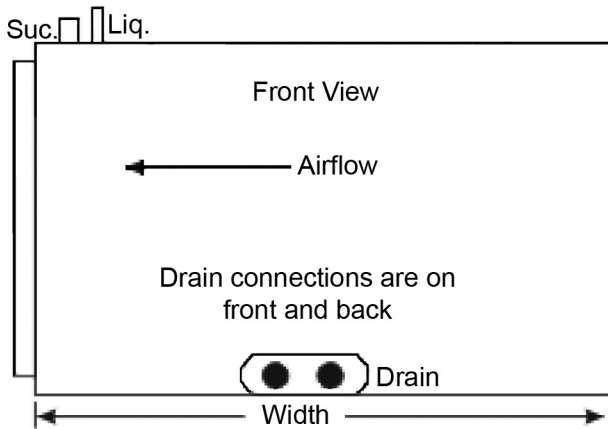
Dimensions - Uncased (continued)



Model	A (in.)	B (in.)	C (in.)	D (in.)	E (in.)	Orifice	Refrigerant Connections		Weight (lbs.)
							Liquid (in.)	Vapor (in.)	
EU1P50CN	20	19-1/2	26-3/4	23-1/4	5-1/2	.082	3/8	7/8	40
EU1P59DN	25-1/8	20	24-1/2	16-3/4	5	.090	3/8	7/8	49
EU1P60DN	23	19-1/2	24	11-3/8	*3	.093	3/8	7/8	42
EU1P62CN	19-1/2	21-1/2	30-5/8	18-1/8	*3	.093	3/8	7/8	58
EU1P62DN	23	19-1/2	28-1/8	18-1/4	4-5/8	.093	3/8	7/8	48

* Liquid line is located above suction line.

Dimensions - Horizontal



Model	Height	Width	Supply		Return		Weight (lbs.)	Orifice	Liquid	Vapor
			Height	Width	Height	Width				
EH1P23AM	14-1/2	26-1/2	13	19-3/4	13-1/2	20	38	.051	3/8	7/8
EH1P23BM	17-1/2	26-1/2	16	19-3/4	16-1/2	20	50	.051	3/8	7/8
EH1P29AM	14-1/2	31-1/2	13	19-3/4	13-1/2	20-1/4	56	.065	3/8	7/8
EH1P29BM	17-1/2	26-1/2	16	19-3/4	16-1/2	20	45	.065	3/8	7/8
EH1P36BM	17-1/2	26-1/2	16	19-3/4	16-1/2	20	56	.073	3/8	7/8
EH1P36CM	21	26-1/2	19-1/2	19-3/4	20	20	64	.073	3/8	7/8
EH1P43BM	17-1/2	31-1/2	16	19-3/4	16-1/2	20-1/4	52	.076	3/8	7/8
EH1P43CM	21	26-1/2	19-1/2	19-3/4	20	20	56	.076	3/8	7/8
EH1P49CM	21	31-1/2	19-1/2	19-3/4	20	20-1/4	58	.093	3/8	7/8
EH1P49DM	24-1/2	31-1/2	23	19-3/4	23-1/2	20-1/4	66	.090	3/8	7/8
EH1P62CM	21	31-1/2	19-1/2	19-3/4	20	20-1/4	63	.093	3/8	7/8
EH1P62DM	24-1/2	31-1/2	23	19-3/4	23-1/2	20-1/4	63	.093	3/8	7/8

All specifications and illustrations
subject to change without notice
and without incurring obligations.



1-800-448-5872