

HEAT EXCHANGER

- Heavy duty 14 gauge steel for long life and quiet operation
- Dense ceramic combustion chamber for clean, even combustion and quiet operation
- Easy access large diameter stainless steel clean out ports for years of easy cleaning access

CABINET

- Foil-faced high density fiberglass insulation reduces both heat loss and sound
- Polyester painted steel for maximum durability and corrosion resistance
- Cleanable external filter and rack provided

BLOWER

- ECM variable speed motor for the ultimate in efficiency and flexibility
- Provides slow quiet blower ramp-up and blower ramp-down
- Automatically adjusts airflow to compensate for the installation and environment
- Continuous fan is at 50% of cooling CFM providing quiet comfortable air movement and even temperatures throughout the home
- Indoor Air Quality add-ons can be run year round for a fraction of the cost of a traditional PSC motor
- When used with central cooling system will increase the system's performance while helping the cooling system better control humidity

BURNER

- High quality Beckett Flame Retention burner for efficient combustion
- High efficiency PSC burner motor to provide consistent operation through all operating conditions
- Solid state ignition provides a consistent 10,000 volts for clean smooth combustion

CONTROLS

- Honeywell 7184B primary control with 15 second pre-purge to help maintain clean combustion. Also provides LED diagnostics, limited reset and interrupted ignition
- Color coded wires for easy installation and service
- 24 volt, 40 VA transformer and controls for easy add-on cooling
- Field adjustable cooling CFM to match the application
- Control board provides diagnostics

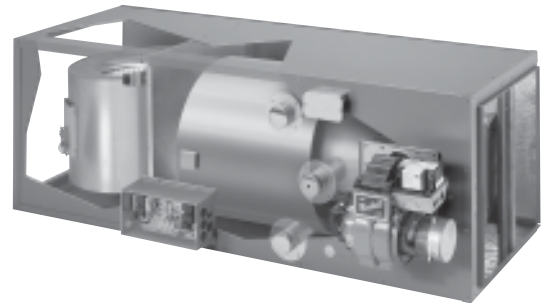
VENTING

- Includes standard barometric damper
- Optional sidewall vent kit

ACCESSORIES

- Cleanout brush kit
- External filter kit for single side entry and over 1600 CFM
- Combustion Air Kit - provides a means to bring combustion air from outside directly to burner (ABOOT571)

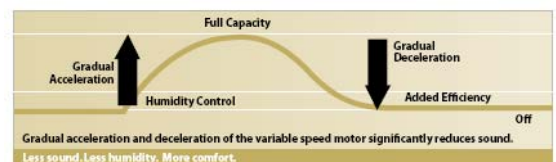
Variable Speed Oil Furnace LHF/LHR80V



**Limited lifetime warranty on
heat exchanger
5 year limited warranty
on all parts
Extended warranties available**

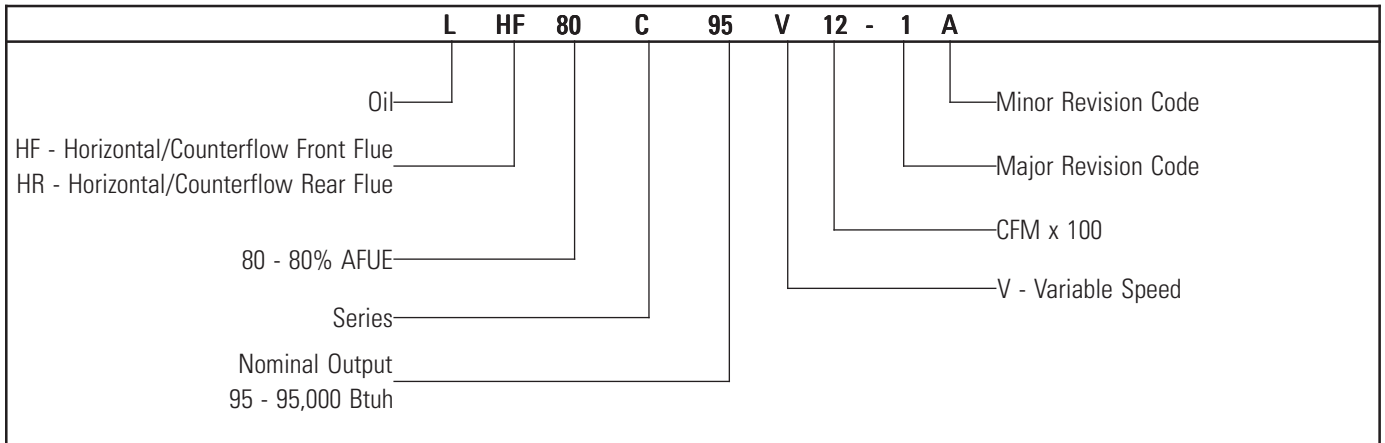


VARIABLE BLOWER SPEED OPERATION



With the ability to start gradually and run at a reduced speed, the variable speed fan motor allows air to flow evenly and consistently throughout the home. This ensures greater energy efficiency and helps maintain an even temperature in all rooms – regardless of location.

Model Number Guide



Physical and Electrical

Model	Nozzle Size	Input (Btuh)	Output (Btuh)	AFUE (ICS)	Nom. Cooling Cap.	Flue Dia. (in.)	Volts/Hz/Phase	Max. Time Delay Breaker or Fuse (amp)	Trans. (V.A.)	Weight (lb.)
LHF80C84/95V12	.65GPH-80°B	105,000	85,000	81.0	1.5-3.0	6	120/60/1	15	40	225
	.75GPH-80°B	119,000	97,000							
LHR80C84/95V12	.65GPH-80 B	105,000	85,000	81.0	1.5-3.0	6	120/60/1	15	40	225
	.75GPH-80 B	119,000	97,000							

NOTE: All units shipped with low fire nozzle installed

Blower

Model	Motor Size	Blower Size	Temp. Rise °F	Blower Speed Tap		Cooling Adjustment	Cooling CFM @ .50 ext. static pressure in. W.C.			
				Heating CFM @ .50 static			Setting "A"	Setting "B"	Setting "C"	Setting "D"
LHF80C84-95V12	1/2 hp	10 x 10	--	--	--	Nom	1200	1000	800	600
				--	--	(+)	1350	1125	900	700
				--	--	(-)	975	830	670	525
LHF80C84V12	1/2 hp	10 x 10	70	D Tap Setting*	1000	--	--	--	--	
LHF80C95V12	1/2 hp	10 x 10	70	B Tap Setting*	1200	--	--	--	--	
LHR80C84-95V12	1/2 hp	10 x 10	--	--	--	Nom	1200	1000	800	600
				--	--	(+)	1350	1150	900	675
				--	--	(-)	1000	850	675	500
LHR80C84V12	1/2 hp	10 x 10	60	D Tap Setting*	900	--	--	--	--	
LHR80C95V12	1/2 hp	10 x 10	60	B Tap Setting*	1100	--	--	--	--	

NOTE: All units shipped with low fire nozzle.

*Required tap to maintain recommended rise.

Accessories

Description	Used with	Kit Number
Combustible Floor Base	LHF/R84/95	ABASE537-1
Clean Brush Out Kit	All models	ABRSH380-3
Vestibule Kit	LHF84/95	AVEST547-2
Filter Kit	LHF84/95	AFILT535-1
Combustion Air Kit	All models	ABOOT571
Clean Out Cap Kit	All models	ACAP570
Tjerlund Side Wall Vent Kit ¹	All models	ASVNT522
Field Controls Side Wall Vent Kit ²	All models	ASVNT523

¹ This can be ordered from Tjerlund, part number SSIC.

² This can be ordered from Field Controls, part number SWG-5-CK61.

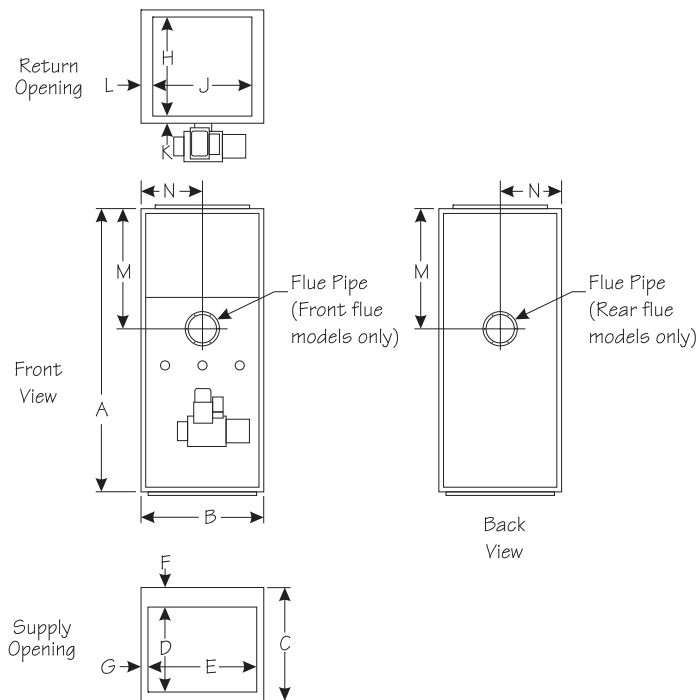
Dimensions (in.)

Model	A	B	C	D	E	F	G	H	J	K	L	M	N	P	Q	R	S
LHF80C84/95V12	59	20 1/2	20 1/2	18 1/4	18 1/4	1 1/4	1 1/4	18	18	1 1/4	1 1/4	32 1/2	10 1/4	3	53	3	14 1/2
LHR80C84/95V12	59	20 1/2	20 1/2	18 1/4	18 1/4	1 1/4	1 1/4	18	18	1 1/4	1 1/4	32 1/2	10 1/4	3	53	3	14 1/2

Clearances (in.)

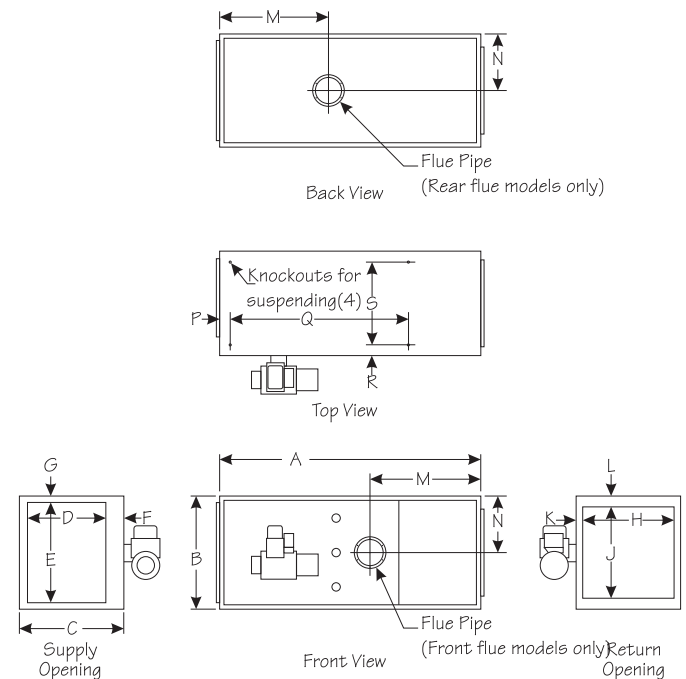
Counterflow

Model	Front	Above	Rear	Flue
LHF80C84/95V12	16	0	1	7
LHR80C84/95V12	24	1	1	7



Horizontal

Model	Front	Above	Rear	Flue	Bottom
LHF80C84/95V12	24	1	1	7	1
LHR80C84/95V12	24	1	1	7	1



421 Monroe Street • Bellevue, OH 44811
 (419) 483-4840
 www.armstrongair.com

