

HEAT EXCHANGER

- Heavy duty 14 gauge steel for long life and quiet operation
- Dense ceramic combustion chamber for clean, even combustion and quiet operation
- Easy access large diameter stainless steel clean out ports for years of easy cleaning access

CABINET

- Foil-faced high density fiberglass insulation reduces both heat loss and sound
- Polyester painted steel for maximum durability and corrosion resistance
- Filters and rack provided

BLOWER

- ECM variable speed motor for the ultimate in efficiency and flexibility
- Provides slow quiet blower ramp-up and blower ramp-down
- Automatically adjusts airflow to compensate for the installation and environment
- Continuous fan is at 50% of cooling CFM providing quiet comfortable air movement and even temperatures throughout the home
- Indoor Air Quality add-ons can be run year round for a fraction of the cost of a traditional PSC motor
- When used with central cooling system will increase the system's performance while helping the cooling system better control humidity

BURNER

- High quality Beckett AFG Flame Retention burner for clean, efficient combustion
- High efficiency PSC burner motor to provide consistent operation through all operating conditions
- Solid state ignition provides a consistent 10,000 volts for clean smooth combustion

CONTROLS

- Honeywell 7184B primary control with 15 second pre-purge to help maintain clean combustion. Also provides LED diagnostics, limited reset and interrupted ignition
- Color coded wires for easy installation and service
- 24 volt, 40 VA transformer and controls for easy add-on cooling
- Field adjustable cooling CFM to match the application
- Control board provides diagnostics

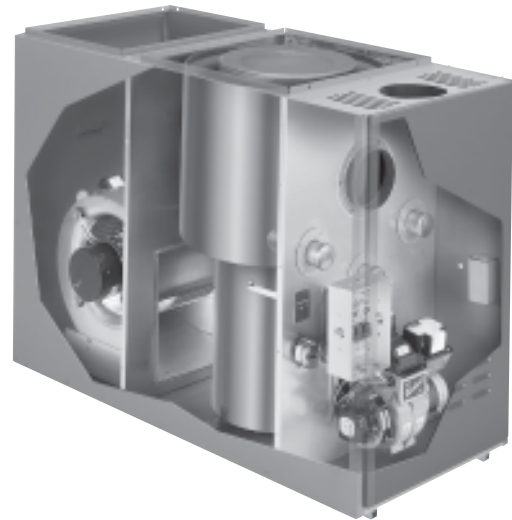
VENTING

- Includes standard barometric damper
- Optional sidewall vent kit

ACCESSORIES

- Coil cabinet adapters
- Cleanout brush kit
- Combustion Air Kit - provides a means to bring combustion air from outside directly to burner (ABOOT571)

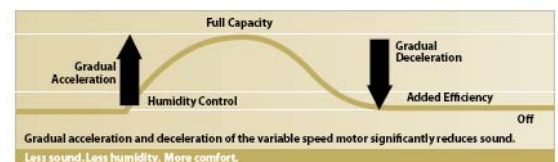
Variable Speed Oil Furnace LBF/R80V



**Limited lifetime warranty on
heat exchanger
5 year limited warranty
on all parts
Extended warranties available**



VARIABLE BLOWER SPEED OPERATION



With the ability to start gradually and run at a reduced speed, the variable speed fan motor allows air to flow evenly and consistently throughout the home. This ensures greater energy efficiency and helps maintain an even temperature in all rooms – regardless of location.

Model Number Guide

L		BF		80		C		95		V		14		-		1		A	
Oil																			Minor Revision Code
BF - Basement Front Flue																			Major Revision Code
BR - Basement Rear Flue																			CFM x 100
80 - 80% AFUE																			V - Variable Speed
Series																			
Nominal Output																			
95 - 95,000 Btuh																			

Physical and Electrical

Model	Nozzle Size	Input (Btuh)	Output (Btuh)	AFUE	Nom. Cooling Cap.	Flue Dia. (in.)	Filter Size (in.)	Volts/Hz/Phase	Max. Time Delay Breaker or Fuse (amp)	Trans. (V.A.)	Shipping Weight (lb.)
LBF80C84/95V14	.65GPH-80°B	105,000	85,000	81	2.0-3.5	6	18 x 19	120/60/1	15	40	250
	.75GPH-80°B	119,000	97,000								
LBF80C112/125V20	.85GPH-80°B	140,000	113,000	81	3.0-5.0	6	19 x 21	120/60/1	15	40	285
	1.00GPH-80°B	154,000	125,000								
LBR80C84/95V14	.65GPH-80°B	105,000	85,000	81	2.0-3.5	6	18 x 19	120/60/1	15	40	255
	.75GPH-80°B	119,000	97,000								
LBR80C112/125V20	.85GPH-80°B	140,000	113,000	81	3.0-5.0	6	19 x 21	120/60/1	15	40	290
	1.00GPH-80°B	154,000	125,000								

Accessories

Description	Used with	Kit Number
Clean Out Kit	All models	ABRSH380-3
Tjerlund Side Wall Vent Kit ¹	All models	ASVNT522
Field Controls Side Wall Vent Kit ²	All models	ASVNT523
Evaporator Coil Cabinet	LBF-R8084/95 to 15 1/2" - 17" wide coil	AAOILKDC19
Evaporator Coil Cabinet	LBF-R8084/95 & LBF-R112/125 to 21" wide coil	AAOILKDC22
Evaporator Coil Cabinet	LBF-R112/125 to 21"-23" wide coil	AAOILKDC27
Combustion Air Kit	All models	ABOOT571
Clean Out Cap Kit	All models	ACAP570

¹ This can be ordered from Tjerlund, part number SSII.

² This can be ordered from Field Controls, part number SWG-5-CK61.

Blower

Model	Motor Size	Blower Size	Temp. Rise °F	Blower Speed Tap		Cooling Adjustment	Cooling CFM @ .50 ext. static pressure in. W.C.			
				Heating CFM @ .50 static			Setting "A"	Setting "B"	Setting "C"	Setting "D"
LBR80C84-95V14	1/2 hp	10 x 9	--	--	--	Nom	1400	1200	1000	800
				--	--	(+)	1500	1400	1200	950
				--	--	(-)	1200	1050	860	650
LBR80C84V14	1/2 hp	10 x 9	60	D Tap Setting*	1200	--	--	--	--	
LBR80C95V14	1/2 hp	10 x 9	60	B Tap Setting*	1450	--	--	--	--	
LBR80C112-125V20	1 hp	12 x 10	--	--	--	Nom	2000	1800	1600	1200
				--	--	(+)	2100	2000	1800	1350
				--	--	(-)	1650	1500	1350	950
LBR80C112V20	1 hp	12 x 10	60	D Tap Setting*	1450	--	--	--	--	
LBR80C125V20	1 hp	12 x 10	60	B Tap Setting*	1730	--	--	--	--	
LBF80C84-95V14	1/2 hp	10 x 9	--	--	--	Nom	1400	1200	1000	800
				--	--	(+)	1500	1400	1200	950
				--	--	(-)	1200	1050	860	650
LBF80C84V14			60	D Tap Setting*	1200	--	--	--	--	
LBF80C95V14			60	B Tap Setting*	1450	--	--	--	--	
LBF80C112-125V20	1 hp	12 x 10	--	--	--	Nom	2000	1800	1600	1200
				--	--	(+)	2100	2000	1800	1350
				--	--	(-)	1650	1500	1350	950
LBF80C112V20	1 hp	12 x 10	60	D Tap Setting*	1450	--	--	--	--	
LBF80C125V20	1 hp	12 x 10	60	B Tap Setting*	1730	--	--	--	--	

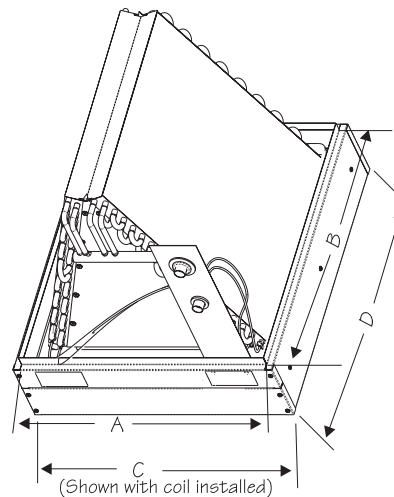
NOTE: All units shipped with low fire nozzle.

*Required tap to maintain recommended rise.

Accessories Dimensions (in.)

Evaporator Coil Cabinet

Model	Plenum		Cabinet	
	A	B	C	D
AAOILKDCC19	18 1/2	21 1/8	19 1/2	22 1/8
AAOILKDCC22	21 1/2	22 1/4	22 1/2	23 1/4
AAOILKDCC24	23	23 1/4	24	24 1/4
AAOILKDCC26	25	24 5/8	26	25 5/8
AAOILKDCC27	25	24 1/4	26	25 5/8



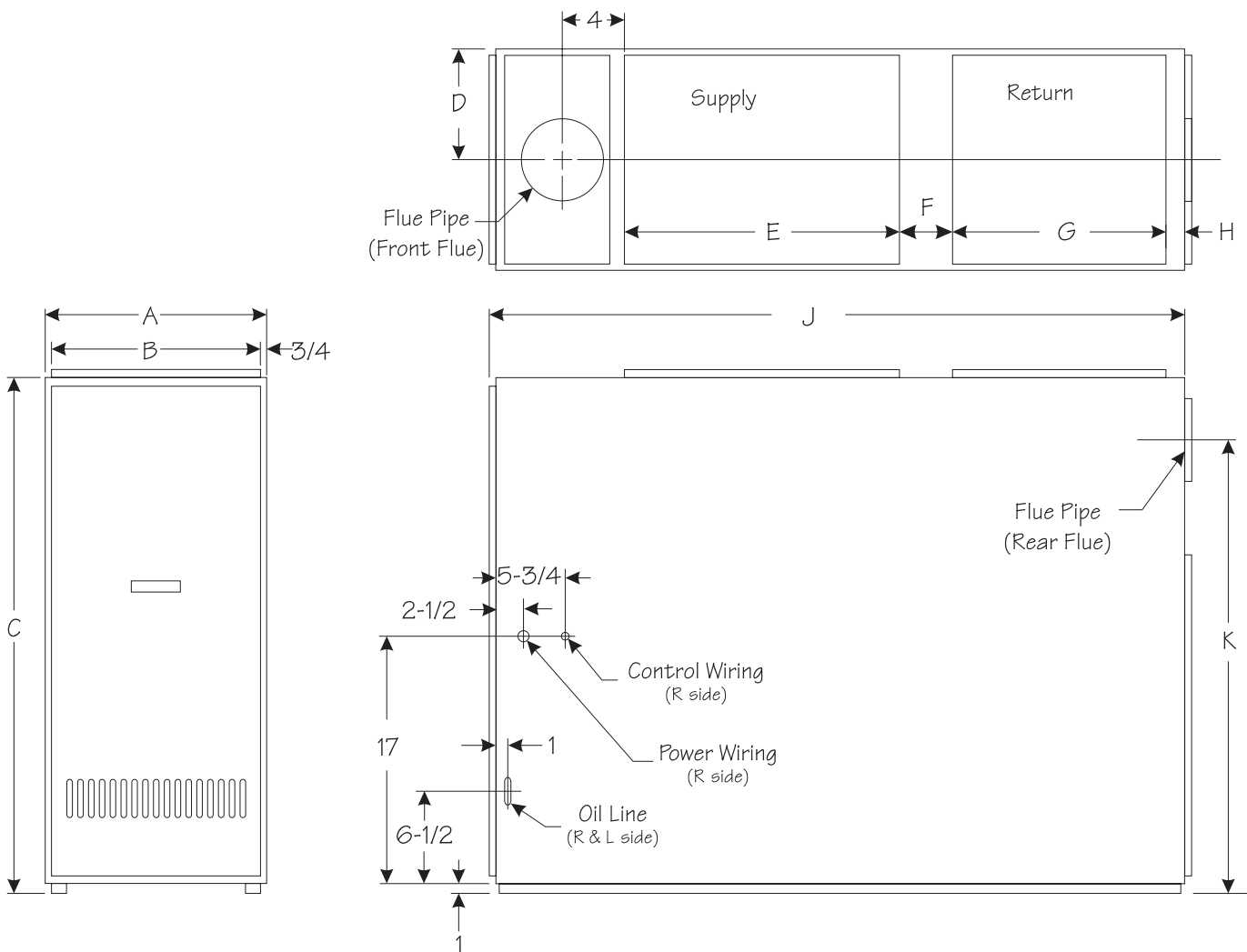
Dimensions (in.)

Model	A	B	C	D	E	F	G	H	J	K
LBF80C84/95	19 1/2	18	37	9 3/4	21	3 1/4	16	1 1/2	52 1/8	N/A
LBF80C112/125	22 1/2	21	37	11 1/4	21	3 1/4	16	1 1/2	52 1/8	N/A
LBR80C84/95	19 1/2	18	37	9 3/4	21	3 1/4	16	1 1/2	52 1/8	27
LBR80C112/125	22 1/2	21	37	11 1/4	21	3 1/4	16	1 1/2	52 1/8	29

Clearances (in.)

Model	Front*	Sides	Rear
LBF80C84/95	4	6	24
LBF80C112/125			
LBR80C84/95			
LBR80C112/125			

*Clearance from combustibles.



421 Monroe Street • Bellevue, OH 44811
 (419) 483-4840
 www.armstrongair.com

