

- All coils are compatible with R22 or R410A
- All drain pans are compatible with UV lights

EC1P/EM1P

- Cased
- Upflow/Counterflow (EC1P) for application flexibility
- Upflow/Horizontal (EM1P) for application flexibility
- Microban® antimicrobial additive in the drain pan to resist mold and mildew growth
- One of the lowest water retention drain pans in the industry to minimize mold and mildew growth
- Insulated steel coil case with high quality painted finish
- Interlocking door assemblies and snug line seal grommets to minimize air leakage
- External cabinet mounted distributor body designed for easy changing of orifice sizes and fast TXV connections
- Foil-face insulation for easy cleaning
- Two dual drain connections on front of coil for installation flexibility of drain lines around furnace vent and utility connections
- Side drain pan built in for easy horizontal coil installations (EM1P only)
- Tubing located at door split for easy coil service or coil cleaning

EU1P

- Uncased
- Upflow/Counterflow for application flexibility
- Microban® antimicrobial additive in the drain pan to resist mold and mildew growth
- One of the lowest water retention drain pans in the industry to minimize mold and mildew growth
- Two dual drain connections on front of coil for installation flexibility of drain lines around furnace vent and utility connections
- Orifice assembly designed for easy changing of orifice sizes and fast TXV connections

EH1P

- Cased
- Dedicated horizontal
- Microban® antimicrobial additive in the drain pan to resist mold and mildew growth
- Drain pan has trough to fully drain condensate away
- Insulated galvanized steel coil case with durable embossed finish
- Top, front, and back panels are removable for easy service or coil cleaning
- Dual condensate drains on front and back of coil allows flexibility of placement to accommodate left or right airflow furnaces
- Foil faced insulation for easy cleaning
- Refrigerant connections on top of coil for ease of installation in left or right airflow furnaces

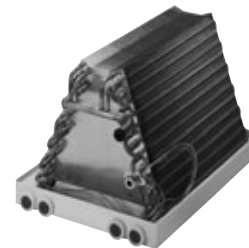
EC1P



EM1P



EU1P



EH1P



5 year limited on all parts
Extended warranty available



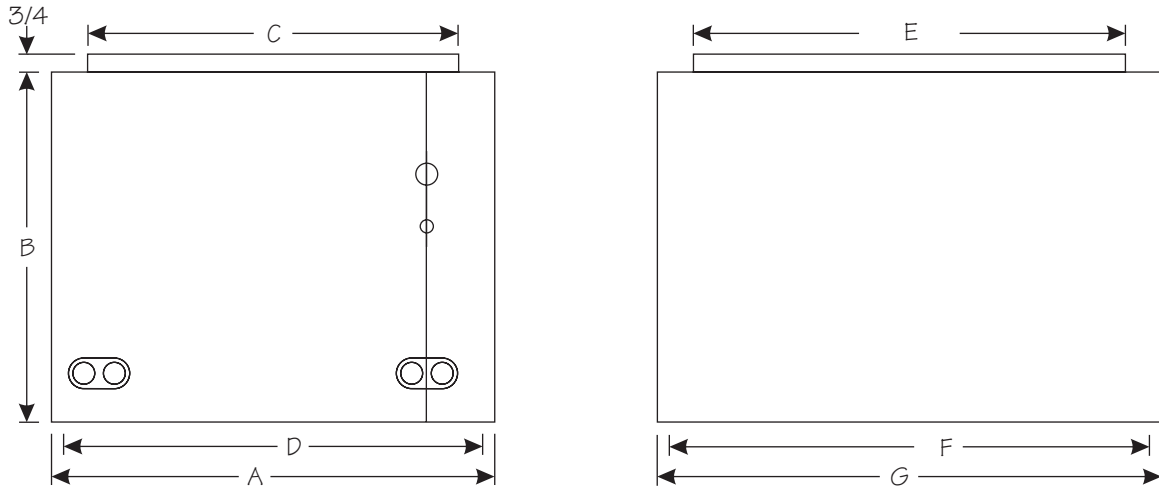
Model Number Guide

E	U	1P	18	A	N	-	1
E = Evaporator Coil	U = Uncased C = Cased	1P = Piston	18, 19 = 1.5 ton 23, 24 = 2.0 ton 29, 30 = 2.5 ton 36 = 3.0 ton 48 = 4.0 ton 49 = 4.0 - 5.0 ton 50 = 4.0 ton 60 = 5.0 ton 62 = 5.0 ton	A = 14.5 B = 17.5 C = 21 D = 24.5	N = Not Applicable G = Platinum Gray M = Galvanized Embossed		Series Color Matching Gas Furnace Cabinet Width

Coil Pressure Drop

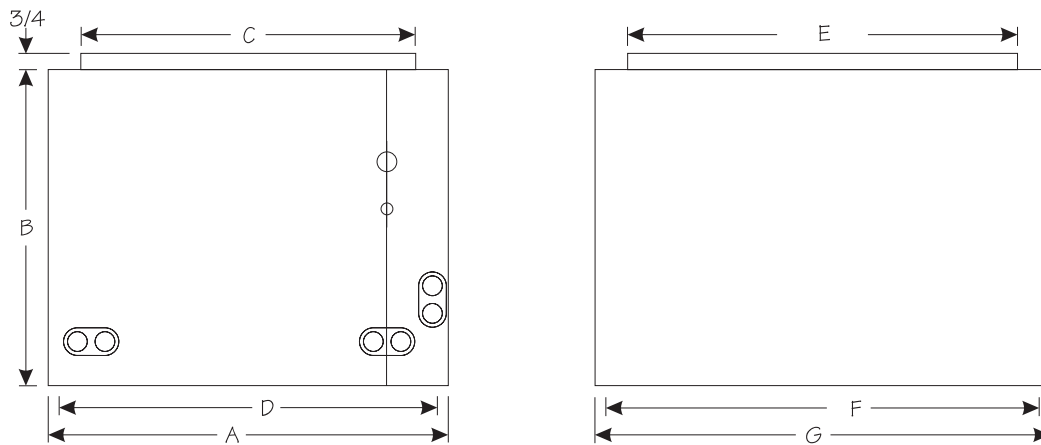
Evaporator	Wet Coil Pressure Drop CFM									
	600	800	1000	1200	1400	1600	1800	2000	2200	2400
E**19A	.09	.16	.24	--	--	--	--	--	--	--
E**18A,B	.17	.25	.39	.52	--	--	--	--	--	--
E**23A	.10	.18	.26	.36	--	--	--	--	--	--
E**23B	.09	.15	.22	.31	--	--	--	--	--	--
E**24A,B	.12	.21	.30	.43	.55	--	--	--	--	--
E**29A	.08	.13	.20	.28	.37	--	--	--	--	--
E**29B	.06	.11	.16	.23	.31	--	--	--	--	--
E**30A	--	.14	.21	.30	.39	.51	--	--	--	--
E**30B,C	--	.11	.16	.21	.28	.34	--	--	--	--
E**36A	--	.14	.21	.30	.39	.51	--	--	--	--
E**36B	--	.11	.16	.21	.28	.34	--	--	--	--
E**36C	--	.06	.11	.17	.23	.29	--	--	--	--
E**43B	--	--	.13	.18	.24	.31	.40	--	--	--
E**43C	--	--	.09	.12	.16	.20	.24	--	--	--
E**48B	--	--	.13	.18	.24	.31	.40	--	--	--
E**48C	--	--	--	.17	.23	.29	.37	.43	--	--
E**49C	--	--	--	.12	.17	.22	.28	.35	--	--
E**50C	--	--	--	.17	.23	.29	.37	.43	--	--
E**60D	--	--	--	--	.15	.18	.21	.27	.32	.37
E**62C	--	--	--	--	.19	.23	.28	.34	.40	.46
E**62D	--	--	--	--	.15	.18	.21	.27	.32	.37

Dimensions - Cased



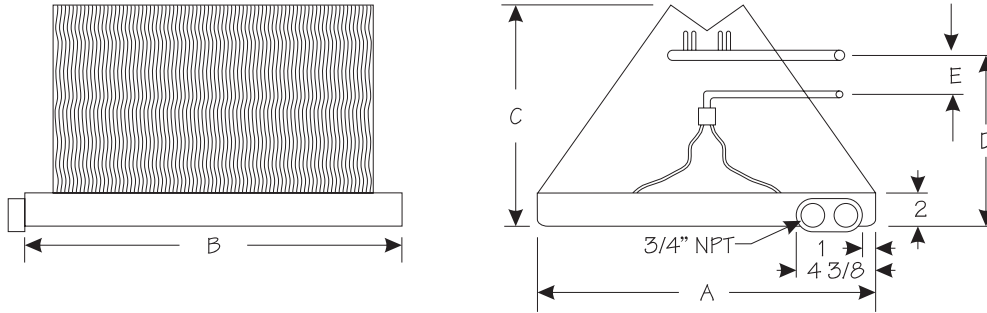
Model	A	B	C	D	E	F	G	Orifice	Refrigerant Connection		Weight (lbs.)
									Liquid	Vapor	
EC1P18AG	14 1/2	16 1/2	13	13 1/2	18	20 1/2	21	.053	3/8	3/4	31
EC1P18BG	17 1/2	16 1/2	16	16 1/2	18	20 1/2	21	.053	3/8	3/4	31
EC1P19AG	14 1/2	16 1/2	13	13 1/2	18	20 1/2	21	.053	3/8	3/4	35
EC1P23AG	14 1/2	18 1/2	13	13 1/2	18	20 1/2	21	.062	3/8	3/4	39
EC1P23BG	17 1/2	18 1/2	16	16 1/2	18	20 1/2	21	.062	3/8	3/4	41
EC1P24AG	14 1/2	20 1/2	13	13 1/2	18	20 1/2	21	.062	3/8	3/4	37
EC1P24BG	17 1/2	20 1/2	16	16 1/2	18	20 1/2	21	.062	3/8	3/4	40
EC1P29AG	14 1/2	25 1/2	13	13 1/2	18	20 1/2	21	.070	3/8	3/4	47
EC1P30AG	14 1/2	24 1/2	13	13 1/2	18	20 1/2	21	.070	3/8	3/4	45
EC1P30BG	17 1/2	24 1/2	16	16 1/2	18	20 1/2	21	.070	3/8	3/4	46
EC1P30CG	21	24 1/2	19 1/2	20	18	20 1/2	21	.070	3/8	3/4	50
EC1P36AG	14 1/2	24 1/2	13	13 1/2	18	20 1/2	21	.076	3/8	3/4	49
EC1P36BG	17 1/2	24 1/2	16	16 1/2	18	20 1/2	21	.076	3/8	3/4	51
EC1P36CG	21	24 1/2	19 1/2	20	18	20 1/2	21	.076	3/8	3/4	55
EC1P43BG	17 1/2	29 1/2	16	16 1/2	18	20 1/2	21	.082	3/8	7/8	60
EC1P43CG	21	29 1/2	19 1/2	20	18	20 1/2	21	.082	3/8	7/8	63
EC1P48BG	17 1/2	24 1/2	16	16 1/2	18	20 1/2	21	.091	3/8	7/8	52
EC1P48CG	21	24 1/2	19 1/2	20	18	20 1/2	21	.091	3/8	7/8	55
EC1P49CG	21	29 1/2	19 1/2	20	19	21 1/2	22	.091	3/8	7/8	72
EC1P50CG	21	27 1/2	19 1/2	20	18	20 1/2	21	.091	3/8	7/8	66
EC1P59DG	25 1/2	28 1/2	24	24 1/2	18	20 1/2	21	.090	3/8	7/8	76
EC1P60DG	24 1/2	25 1/2	23	23 1/2	18	20 1/2	21	.099	3/8	7/8	66
EC1P62CG	21	31 1/2	19 1/2	20	19	21 1/2	22	.099	3/8	7/8	76
EC1P62DG	24 1/2	29 1/2	23	23 1/2	18	20 1/2	21	.099	3/8	7/8	77

Dimensions - Multi-position



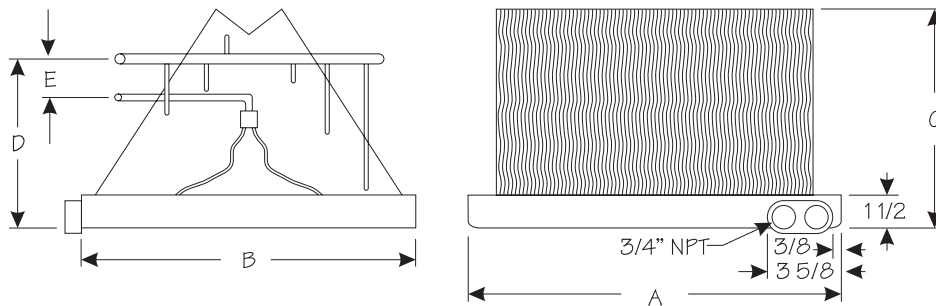
Model	A	B	C	D	E	F	G	Orifice	Refrigerant Connection		Weight (lbs.)
									Liquid	Vapor	
EM1P18AG	14 1/2	25 1/2	13	13 1/2	19 1/2	20 1/2	21	.053	3/8	3/4	45
EM1P19AG	14 1/2	25 1/2	13	13 1/2	19 1/2	20 1/2	21	.053	3/8	3/4	33
EM1P23AG	14 1/2	25 1/2	13	13 1/2	19 1/2	20 1/2	21	.062	3/8	3/4	40
EM1P23BG	17 1/2	25 1/2	16	16 1/2	19 1/2	20 1/2	21	.062	3/8	3/4	40
EM1P24AG	14 1/2	25 1/2	13	13 1/2	19 1/2	20 1/2	21	.064	3/8	3/4	42
EM1P24BG	17 1/2	25 1/2	16	16 1/2	19 1/2	20 1/2	21	.064	3/8	3/4	42
EM1P29AG	14 1/2	25 1/2	13	13 1/2	19 1/2	20 1/2	21	.070	3/8	3/4	40
EM1P29BG	17 1/2	25 1/2	16	16 1/2	11	11	11	.070	3/8	3/4	41
EM1P30AG	14 1/2	25 1/2	13	13 1/2	19 1/2	20 1/2	21	.070	3/8	3/4	42
EM1P30BG	17 1/2	25 1/2	16	16 1/2	19 1/2	20 1/2	21	.070	3/8	3/4	42
EM1P36AG	14 1/2	25 1/2	13	13 1/2	19 1/2	20 1/2	21	.076	3/8	3/4	57
EM1P36BG	17 1/2	25 1/2	16	16 1/2	19 1/2	20 1/2	21	.076	3/8	3/4	57
EM1P36CG	21	25 1/2	19 1/2	20	19 1/2	20 1/2	21	.076	3/8	3/4	57
EM1P43BG	17 1/2	27 1/2	16	16 1/2	19 1/2	20 1/2	21	.082	3/8	7/8	45
EM1P43CG	21	27 1/2	19 1/2	20	19 1/2	20 1/2	21	.082	3/8	7/8	45
EM1P48BG	17 1/2	25 1/2	16	16 1/2	19 1/2	20 1/2	21	.091	3/8	7/8	48
EM1P48CG	21	25 1/2	19 1/2	20	19 1/2	20 1/2	21	.091	3/8	7/8	48
EM1P50CG	21	27 1/2	19 1/2	20	19 1/2	20 1/2	21	.091	3/8	7/8	77

Dimensions - Uncased



Model	A	B	C	D	E	Orifice	Refrigerant Connection		Weight (lbs.)
							Liquid	Vapor	
EU1P18AN	13	19 1/2	15	9 1/2	4 1/2	.053	3/8	3/4	18
EU1P18BN	15 1/2	19 1/2	14 3/4	9 1/2	4 1/2	.053	3/8	3/4	20
EU1P19AN	13	19 1/2	15 1/8	9 1/2	4 1/2	.053	3/8	3/4	19
EU1P23AN	13	19 1/2	17 3/16	12 1/2	4 1/2	.062	3/8	3/4	22
EU1P24AN	13	19 1/2	19 3/16	14 1/2	6	.062	3/8	3/4	22
EU1P24BN	15 1/2	19 1/2	18 3/4	14 1/2	6	.062	3/8	3/4	23
EU1P29AN	13	19 1/2	21 1/4	17 1/3	6 1/2	.070	3/8	3/4	24
EU1P30AN	13	19 1/2	23 1/4	17 1/3	6 1/2	.070	3/8	3/4	26
EU1P30BN	15 1/2	19 1/2	23	17 1/3	6 1/2	.070	3/8	3/4	27
EU1P30CN	20	19 1/2	22 1/4	17 1/3	6 1/2	.070	3/8	3/4	29
EU1P36AN	13	19 1/2	23 3/8	17 1/3	6 1/2	.076	3/8	3/4	31
EU1P36BN	15 1/2	19 1/2	23 1/8	17 1/3	6 1/2	.076	3/8	3/4	33
EU1P36CN	20	19 1/2	22 1/2	17 1/3	4 1/2	.076	3/8	3/4	34
EU1P43BN	15 1/2	19 1/2	27 1/4	23 1/3	5 1/2	.082	3/8	7/8	43
EU1P43CN	20	19 1/2	26 3/4	23 1/3	5 1/2	.082	3/8	7/8	44
EU1P48BN	15 1/2	19 1/2	23 1/8	9 1/2	4 1/2	.091	3/8	7/8	33
EU1P48CN	20	19 1/2	22 1/2	9 1/2	4 1/2	.091	3/8	7/8	35
EU1P49CN	19 1/2	21 1/2	28 5/8	15	*3	.091	3/8	7/8	53
EU1P50CN	20	19 1/2	26 3/4	23 1/3	5 1/2	.091	3/8	7/8	40
EU1P62CN	19 1/2	21 1/2	30 5/8	18 1/8	*3	.099	3/8	7/8	58

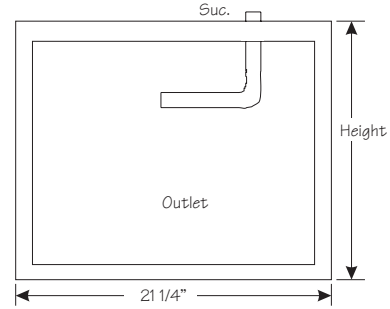
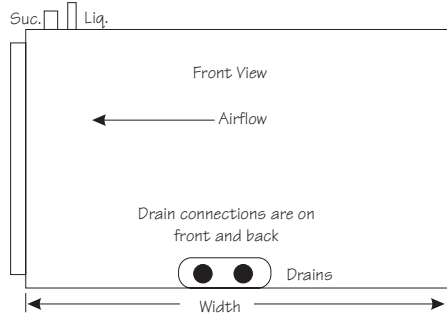
*Suction line is above liquid line.



Model	A (in.)	B (in.)	C (in.)	D (in.)	E (in.)	Orifice	Refrigerant Connections		Weight (lbs.)
							Liquid (in.)	Vapor (in.)	
EU1P59DN	25 1/8	20	24 1/2	16 3/4	5	.090	3/8	7/8	49
EU1P60DN	23	19 1/2	24	11 3/8	*3	.099	3/8	7/8	42
EU1P62DN	23	19 1/2	28 1/8	18 1/4	4 5/8	.099	3/8	7/8	48

* Liquid line is located above suction line

Dimensions - Horizontal



Model	Height	Width	Supply		Return		Weight (lbs.)
			Height	Width	Height	Width	
EH1P23AM-1	14 1/2	26 1/2	13	19 3/4	13 1/2	20	38
EH1P23BM-1	17 1/2	26 1/2	16	19 3/4	16 1/2	20	50
EH1P29AM-1	14 1/2	31 1/2	13	19 3/4	13 1/2	20 1/4	56
EH1P29BM-1	17 1/2	26 1/2	16	19 3/4	16 1/2	20	45
EH1P36BM-1	17 1/2	26 1/2	16	19 3/4	16 1/2	20	56
EH1P36CM-1	21	26 1/2	19 1/2	19 3/4	20	20	64
EH1P43BM-1	17 1/2	31 1/2	16	19 3/4	16 1/2	20 1/4	52
EH1P43CM-1	21	26 1/2	19 1/2	19 3/4	20	20	56
EH1P49CM-1	21	31 1/2	19 1/2	19 3/4	20	20 1/4	58
EH1P49DM-1	24 1/2	31 1/2	23	19 3/4	23 1/2	20 1/4	66
EH1P62CM	21	31 1/2	19 1/2	19 3/4	20	20 1/4	63
EH1P62DM	24 1/2	31 1/2	23	19 3/4	23 1/2	20 1/4	63



(800) 448-5872
www.armstrongair.com

All specifications and illustrations subject to change without notice and without incurring obligations.