

A97MV

PRODUCT SPECIFICATIONS

97% MODULATING VARIABLE SPEED GAS FURNACE

FORM NO. A97MV-100 (06/2014)



COMFORT SYNC™
COMMUNICATING THERMOSTAT ENABLED

CONFIGURATIONS

- Upflow / Horizontal
- Downflow

HEAT EXCHANGER DESIGN

- 409 stainless steel primary heat exchanger with crimped no-weld construction
- AL 29-4C stainless steel secondary heat exchanger

CABINET DESIGN

- Compact 33" height
- Standardized widths for easy coil fit

AIR DELIVERY SYSTEM

- ECM™ variable speed blower motor
- Easily removable slide out blower design

CONTROLS

- Communicating control enabled
- Modulating gas valve
- Thermostat flexibility: works with the Comfort Sync T-Stat or a conventional 24V T-Stat
- Self diagnostics saves last 10 fault codes regardless of power interruption

VENTING

- Category 4 direct vent appliance (2 pipe only)

INSTALLATION FEATURES

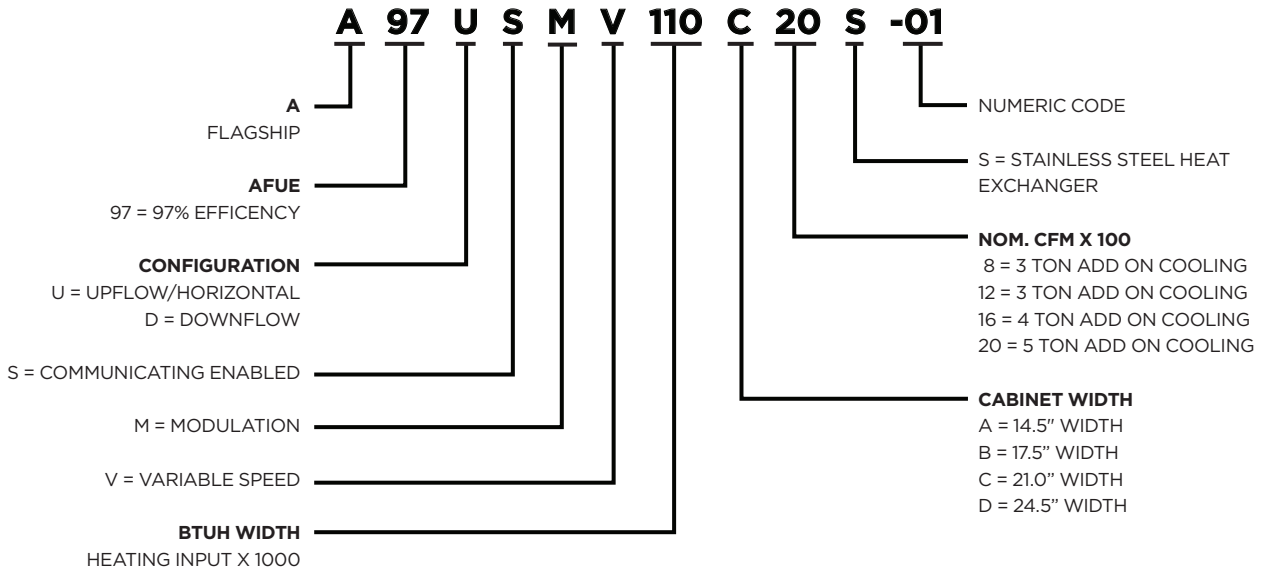
- Left or right utility connections
- Zero step horizontal conversion
- Removable floor base for bottom return air

WARRANTY

10 year limited parts warranty / lifetime heat exchanger warranty available. See limited warranty document for details.



MODEL NUMBER GUIDE



PHYSICAL AND ELECTRICAL DATA

| | Model | Input (Btuh) | Output * (Btuh) | AFUE (ICS) | Nominal* Cooling Capacity | Gas Inlet (in.) | Volts-Hertz-Phase | Max. Time Delay Breaker or Fuse | Nominal F.L.A. | Trans. (V.A.) | Approx. Shipping Weight (lbs.) |
|---------------------|----------------|--------------|-----------------|------------|---------------------------|-----------------|-------------------|---------------------------------|----------------|---------------|--------------------------------|
| UPFLOW / HORIZONTAL | A97USMV070B12S | 66,000 | 64,000 | 97.0% | 3 Tons | 1/2 | 120-60-1 | 15 | 7.7 | 40 | 138 |
| | A97USMV090C12S | 88,000 | 85,000 | 97.0% | 3 Tons | 1/2 | 120-60-1 | 15 | 7.7 | 40 | 155 |
| | A97USMV090C16S | 88,000 | 85,000 | 97.0% | 4 Tons | 1/2 | 120-60-1 | 15 | 10.1 | 40 | 165 |
| | A97USMV090C20S | 88,000 | 85,000 | 97.0% | 5 Tons | 1/2 | 120-60-1 | 20 | 12.8 | 40 | 165 |
| | A97USMV110C20S | 110,000 | 106,000 | 97.0% | 5 Tons | 1/2 | 120-60-1 | 20 | 12.8 | 40 | 175 |
| | A97USMV135D20S | 132,000 | 127,000 | 97.0% | 5 Tons | 1/2 | 120-60-1 | 20 | 12.8 | 40 | 190 |
| DOWNFLOW | A97DSMV070B12S | 66,000 | 64,000 | 97.0% | 3 Tons | 1/2 | 120-60-1 | 15 | 7.7 | 40 | 140 |
| | A97DSMV090C16S | 88,000 | 85,000 | 97.0% | 4 Tons | 1/2 | 120-60-1 | 15 | 10.1 | 40 | 165 |
| | A97DSMV090C20S | 88,000 | 85,000 | 97.0% | 5 Tons | 1/2 | 120-60-1 | 20 | 12.8 | 40 | 165 |
| | A97DSMV110C20S | 110,000 | 107,000 | 97.0% | 5 Tons | 1/2 | 120-60-1 | 20 | 12.8 | 40 | 174 |

Note: For vent length and clearances to combustibles, please reference installation instructions.
* At full capacity

BLOWER PERFORMANCE DATA: BOTTOM INLET

| | Model | Motor Size (hp) | Blower Size | Temp Rise F° | Heating CFM @ 0" - 0.5" w.c. | | | | Cooling Stages | Speed Adjust-ment | Cooling CFM @ 0" - 0.8" w.c. | | | | |
|---------------------|----------------|-----------------|--------------------|--------------------|------------------------------|-----------|-----------|------------|----------------|-------------------|------------------------------|------------|-------------|--------------|------|
| | | | | | ** | 40% Input | 70% Input | 100% Input | | | Low | Medium Low | Medium High | High Default | |
| | | | | | | | | | | | | | | | |
| UPFLOW / HORIZONTAL | A97USMV070B12S | 1/2 HP | 10 x 9 | 50 - 80 Max. Input | +15% | 538 | 833 | 1128 | 2nd Stage | +10% | 862 | 1063 | 1218 | 1369 | |
| | | | | | +7.5% | 496 | 772 | 1048 | | Default | 810 | 962 | 1130 | 1269 | |
| | | | | | Default | 453 | 710 | 967 | | -10% | 707 | 841 | 1007 | 1140 | |
| | | | | 35 - 65 Min. Input | +10% | 604 | 740 | 843 | 971 | 1st Stage | Default | 558 | 668 | 770 | 855 |
| | | | | | -7.5% | 419 | 657 | 895 | -10% | | 504 | 603 | 683 | 793 | |
| | | | | | -15% | 385 | 604 | 822 | | | | | | | |
| | A97USMV090C12S | 1/2 HP | 10 x 9 | 60 - 90 Max. Input | +15% | 734 | 1014 | 1295 | 2nd Stage | +10% | 879 | 1040 | 1212 | 1362 | |
| | | | | | +7.5% | 697 | 953 | 1209 | | Default | 803 | 946 | 1104 | 1246 | |
| | | | | | Default | 660 | 891 | 1122 | | -10% | 721 | 842 | 972 | 1117 | |
| | | | | 35 - 65 Min. Input | +10% | 626 | 710 | 832 | 952 | 1st Stage | Default | 569 | 672 | 764 | 862 |
| | | | | | -7.5% | 616 | 828 | 1041 | -10% | | 524 | 612 | 687 | 785 | |
| | | | | | -15% | 572 | 766 | 959 | | | | | | | |
| | A97USMV090C16S | 3/4 HP | 11 x 11 | 50 - 80 Max. Input | +15% | 835 | 1234 | 1633 | 2nd Stage | +10% | 1168 | 1379 | 1583 | 1771 | |
| | | | | | +7.5% | 776 | 1155 | 1534 | | Default | 1079 | 1267 | 1444 | 1645 | |
| | | | | | Default | 716 | 1075 | 1434 | | -10% | 938 | 1148 | 1324 | 1469 | |
| | | | | 35 - 65 Min. Input | +10% | 843 | 1007 | 1159 | 1315 | 1st Stage | Default | 780 | 915 | 1047 | 1190 |
| | | | | | -7.5% | 652 | 997 | 1342 | -10% | | 693 | 838 | 959 | 1070 | |
| | | | | | -15% | 589 | 919 | 1249 | | | | | | | |
| | A97USMV090C20S | 1 HP | 11 x 11 | 50 - 80 Max. Input | +15% | 665 | 1159 | 1653 | 2nd Stage | +10% | 1385 | 1593 | 1818 | 2019 | |
| | | | | | +7.5% | 618 | 1085 | 1553 | | Default | 1226 | 1463 | 1647 | 1884 | |
| | | | | | Default | 571 | 1012 | 1453 | | -10% | 1063 | 1320 | 1504 | 1675 | |
| | | | | 35 - 65 Min. Input | +10% | 933 | 1054 | 1274 | 1466 | 1st Stage | Default | 836 | 978 | 1121 | 1336 |
| | | | | | -7.5% | 507 | 917 | 1328 | -10% | | 740 | 868 | 1010 | 1152 | |
| | | | | | -15% | 443 | 823 | 1203 | | | | | | | |
| A97USMV110C20S | 1 HP | 11 x 11 | 50 - 80 Max. Input | +15% | 861 | 1424 | 1988 | 2nd Stage | +10% | 1312 | 1560 | 1744 | 1955 | | |
| | | | | +7.5% | 825 | 1349 | 1874 | | Default | 1219 | 1405 | 1569 | 1796 | | |
| | | | | Default | 789 | 1274 | 1759 | | -10% | 1075 | 1272 | 1428 | 1634 | | |
| | | | 35 - 65 Min. Input | +10% | 937 | 1064 | 1247 | 1407 | 1st Stage | Default | 864 | 972 | 1146 | 1282 | |
| | | | | -7.5% | 731 | 1187 | 1644 | -10% | | 790 | 888 | 1025 | 1167 | | |
| | | | | -15% | 673 | 1101 | 1528 | | | | | | | | |
| A97USMV135D20S | 1 HP | 11 x 11 | 55 - 85 Max. Input | +15% | 1033 | 1534 | 2035 | 2nd Stage | +10% | 1353 | 1567 | 1751 | 1994 | | |
| | | | | +7.5% | 957 | 1426 | 1895 | | Default | 1202 | 1448 | 1616 | 1828 | | |
| | | | | Default | 881 | 1317 | 1754 | | -10% | 1080 | 1290 | 1472 | 1668 | | |
| | | | 35 - 65 Min. Input | +10% | 935 | 1074 | 1260 | 1450 | 1st Stage | Default | 834 | 983 | 1116 | 1306 | |
| | | | | -7.5% | 817 | 1235 | 1652 | -10% | | 732 | 867 | 1023 | 1145 | | |
| | | | | -15% | 753 | 1152 | 1550 | | | | | | | | |

Note:
 ** See installation instructions for proper blower set up

BLOWER PERFORMANCE DATA: SIDE INLET

| | Model | Motor Size (hp) | Blower Size | Temp Rise F° | Heating CFM @ 0" - 0.5" w.c. | | | | Cooling Stages | Speed Adjust-ment | Cooling CFM @ 0" - 0.8" w.c. | | | |
|----------------|----------------|-----------------|--------------------|--------------------|------------------------------|-----------|-----------|------------|----------------|-------------------|------------------------------|------------|-------------|--------------|
| | | | | | ** | 40% Input | 70% Input | 100% Input | | | Low | Medium Low | Medium High | High Default |
| | | | | | UPFLOW / HORIZONTAL | | | | | | | | | |
| | A97USMV070B12S | 1/2 HP | 10 x 9 | 50 - 80 Max. Input | +15% | 531 | 812 | 1093 | 2nd Stage | +10% | 840 | 1054 | 1208 | 1357 |
| | | | | | +7.5% | 490 | 756 | 1022 | | Default | 752 | 946 | 1130 | 1231 |
| | | | | | Default | 449 | 700 | 951 | | -10% | 688 | 805 | 991 | 1114 |
| | | | | 35 - 65 Min. Input | +10% | 593 | 706 | 805 | 959 | | | | | |
| | | | | | -7.5% | 413 | 635 | 857 | Default | 543 | 642 | 729 | 824 | |
| | | | | | -15% | 378 | 571 | 763 | -10% | 503 | 584 | 665 | 720 | |
| | A97USMV090C12S | 1/2 HP | 10 x 9 | 60 - 90 Max. Input | +15% | 702 | 971 | 1240 | 2nd Stage | +10% | 843 | 1017 | 1168 | 1300 |
| | | | | | +7.5% | 673 | 926 | 1178 | | Default | 772 | 912 | 1054 | 1193 |
| | | | | | Default | 644 | 880 | 1116 | | -10% | 698 | 799 | 946 | 1111 |
| | | | | 35 - 65 Min. Input | +10% | 610 | 707 | 797 | 921 | | | | | |
| | | | | | -7.5% | 608 | 814 | 1020 | Default | 561 | 643 | 718 | 811 | |
| | | | | | -15% | 571 | 747 | 923 | -10% | 526 | 605 | 667 | 729 | |
| | A97USMV090C16S | 3/4 HP | 11 x 11 | 50 - 80 Max. Input | +15% | 812 | 1204 | 1595 | 2nd Stage | +10% | 1140 | 1341 | 1526 | 1728 |
| | | | | | +7.5% | 759 | 1127 | 1495 | | Default | 1043 | 1235 | 1398 | 1566 |
| | | | | | Default | 706 | 1051 | 1395 | | -10% | 913 | 1124 | 1279 | 1402 |
| | | | | 35 - 65 Min. Input | +10% | 823 | 1009 | 1135 | 1292 | | | | | |
| | | | | | -7.5% | 608 | 814 | 1020 | Default | 758 | 882 | 1026 | 1151 | |
| | | | | | -15% | 571 | 747 | 923 | -10% | 684 | 816 | 928 | 1068 | |
| | A97USMV090C20S | 1 HP | 11 x 11 | 50 - 80 Max. Input | +15% | 684 | 1136 | 1588 | 2nd Stage | +10% | 1335 | 1559 | 1719 | 1986 |
| | | | | | +7.5% | 623 | 1059 | 1496 | | Default | 1173 | 1433 | 1568 | 1811 |
| | | | | | Default | 562 | 983 | 1403 | | -10% | 1049 | 1283 | 1451 | 1603 |
| | | | | 35 - 65 Min. Input | +10% | 911 | 1043 | 1227 | 1434 | | | | | |
| | | | | | -7.5% | 608 | 814 | 1020 | Default | 805 | 960 | 1087 | 1296 | |
| | | | | | -15% | 571 | 747 | 923 | -10% | 700 | 840 | 991 | 1115 | |
| A97USMV110C20S | 1 HP | 11 x 11 | 50 - 80 Max. Input | +15% | 733 | 1194 | 1747 | 2nd Stage | +10% | 1270 | 1519 | 1712 | 1899 | |
| | | | | +7.5% | 708 | 1139 | 1657 | | Default | 1170 | 1363 | 1555 | 1774 | |
| | | | | Default | 683 | 1085 | 1566 | | -10% | 1059 | 1218 | 1401 | 1581 | |
| | | | 35 - 65 Min. Input | +10% | 918 | 1053 | 1198 | 1366 | | | | | | |
| | | | | -7.5% | 632 | 1007 | 1457 | Default | 820 | 964 | 1095 | 1231 | | |
| | | | | -15% | 580 | 929 | 1348 | -10% | 722 | 852 | 987 | 1116 | | |
| A97USMV135D20S | 1 HP | 11 x 11 | 55 - 85 Max. Input | +15% | 1010 | 1505 | 2001 | 2nd Stage | +10% | 1337 | 1550 | 1720 | 1974 | |
| | | | | +7.5% | 923 | 1398 | 1873 | | Default | 1194 | 1416 | 1608 | 1781 | |
| | | | | Default | 836 | 1290 | 1744 | | -10% | 1076 | 1282 | 1437 | 1628 | |
| | | | 35 - 65 Min. Input | +10% | 938 | 1070 | 1236 | 1418 | | | | | | |
| | | | | -7.5% | 775 | 1208 | 1641 | Default | 837 | 985 | 1114 | 1296 | | |
| | | | | -15% | 715 | 1126 | 1537 | -10% | 736 | 870 | 1010 | 1139 | | |

BLOWER PERFORMANCE DATA: SIDE INLET WITH RETURN AIR BASE

| | Model | Motor Size (hp) | Blower Size | Temp Rise F° | Heating CFM @ 0" - 0.5" w.c. | | | | Cooling Stages | Speed Adjust-ment | Cooling CFM @ 0" - 0.8" w.c. | | | |
|--|----------------|-----------------|-------------|--------------------|------------------------------|-----------|-----------|------------|----------------|-------------------|------------------------------|------------|-------------|--------------|
| | | | | | ** | 40% Input | 70% Input | 100% Input | | | Low | Medium Low | Medium High | High Default |
| | | | | | UPFLOW / HORIZONTAL | | | | | | | | | |
| | A97USMV070B12S | 1/2 HP | 10 x 9 | 50 - 80 Max. Input | +15% | 519 | 805 | 1091 | 2nd Stage | +10% | 857 | 1049 | 1206 | 1354 |
| | | | | | +7.5% | 480 | 751 | 1021 | | Default | 791 | 946 | 1093 | 1255 |
| | | | | | Default | 441 | 696 | 951 | | -10% | 722 | 845 | 987 | 1131 |
| | | | | 35 - 65 Min. Input | +10% | 596 | 717 | 816 | 950 | | | | | |
| | | | | | -7.5% | 408 | 643 | 877 | Default | 521 | 657 | 755 | 840 | |
| | | | | | -15% | 375 | 589 | 803 | -10% | 494 | 597 | 672 | 747 | |
| | A97USMV090C12S | 1/2 HP | 10 x 9 | 60 - 90 Max. Input | +15% | 721 | 988 | 1254 | 2nd Stage | +10% | 852 | 999 | 1166 | 1305 |
| | | | | | +7.5% | 679 | 923 | 1167 | | Default | 776 | 907 | 1050 | 1206 |
| | | | | | Default | 637 | 858 | 1079 | | -10% | 712 | 802 | 947 | 1074 |
| | | | | 35 - 65 Min. Input | +10% | 605 | 715 | 812 | 934 | | | | | |
| | | | | | -7.5% | 606 | 806 | 1006 | Default | 571 | 662 | 735 | 820 | |
| | | | | | -15% | 576 | 754 | 933 | -10% | 530 | 602 | 673 | 725 | |

Note:
 ** See installation instructions for proper blower set up

BLOWER PERFORMANCE DATA: SIDE INLET WITH RETURN AIR BASE

| | Model | Motor Size (hp) | Blower Size | Temp Rise F° | Heating CFM @ 0" - 0.5" w.c. | | | | Cooling Stages | Speed Adjustment | Cooling CFM @ 0" - 0.8" w.c. | | | |
|---------------------|----------------|-----------------|--------------------|--------------------|------------------------------|-----------|-----------|------------|----------------|------------------|------------------------------|------------|-------------|--------------|
| | | | | | ** | 40% Input | 70% Input | 100% Input | | | Low | Medium Low | Medium High | High Default |
| | | | | | | | | | | | | | | |
| UPFLOW / HORIZONTAL | A97USMV090C16S | 3/4 HP | 11 x 11 | 50 - 80 Max. Input | +15% | 828 | 1213 | 1597 | 2nd Stage | +10% | 1162 | 1360 | 1533 | 1742 |
| | | | | | +7.5% | 766 | 1132 | 1499 | | Default | 1064 | 1240 | 1400 | 1594 |
| | | | | | Default | 703 | 1052 | 1401 | | -10% | 928 | 1133 | 1298 | 1441 |
| | | | | 35 - 65 Min. Input | +10% | 844 | 955 | 1124 | 1st Stage | +10% | 844 | 955 | 1124 | 1280 |
| | | | | | Default | 775 | 910 | 1011 | | 1173 | | | | |
| | | | | | -10% | 695 | 816 | 932 | | 1045 | | | | |
| | A97USMV090C20S | 1 HP | 11 x 11 | 60 - 90 Max. Input | +15% | 686 | 1138 | 1589 | 2nd Stage | +10% | 1329 | 1560 | 1740 | 1982 |
| | | | | | +7.5% | 626 | 1060 | 1494 | | Default | 1177 | 1414 | 1586 | 1807 |
| | | | | | Default | 566 | 983 | 1399 | | -10% | 1044 | 1261 | 1432 | 1619 |
| | | | | 35 - 65 Min. Input | +10% | 913 | 1037 | 1230 | 1st Stage | +10% | 913 | 1037 | 1230 | 1415 |
| | | | | | Default | 827 | 953 | 1088 | | 1278 | | | | |
| | | | | | -10% | 741 | 855 | 995 | | 1117 | | | | |
| | A97USMV110C20S | 1 HP | 11 x 11 | 50 - 80 Max. Input | +15% | 893 | 1419 | 1945 | 2nd Stage | +10% | 1268 | 1487 | 1726 | 1913 |
| | | | | | +7.5% | 814 | 1329 | 1843 | | Default | 1158 | 1369 | 1568 | 1764 |
| | | | | | Default | 736 | 1238 | 1741 | | -10% | 1030 | 1224 | 1393 | 1575 |
| | | | | 35 - 65 Min. Input | +10% | 918 | 1022 | 1205 | 1st Stage | +10% | 918 | 1022 | 1205 | 1371 |
| Default | | | | | 839 | 955 | 1084 | 1235 | | | | | | |
| -10% | | | | | 760 | 865 | 984 | 1109 | | | | | | |
| A97USMV135D20S | 1 HP | 11 x 11 | 50 - 80 Max. Input | +15% | 992 | 1487 | 1983 | 2nd Stage | +10% | 1303 | 1536 | 1687 | 1975 | |
| | | | | +7.5% | 907 | 1382 | 1858 | | Default | 1164 | 1380 | 1584 | 1762 | |
| | | | | Default | 822 | 1277 | 1732 | | -10% | 1065 | 1252 | 1404 | 1604 | |
| | | | 35 - 65 Min. Input | +10% | 918 | 1061 | 1214 | 1st Stage | +10% | 918 | 1061 | 1214 | 1382 | |
| | | | | Default | 829 | 960 | 1091 | | 1265 | | | | | |
| | | | | -10% | 739 | 858 | 991 | | 1116 | | | | | |

BLOWER PERFORMANCE DATA: RETURN INLET

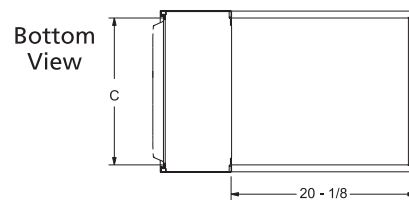
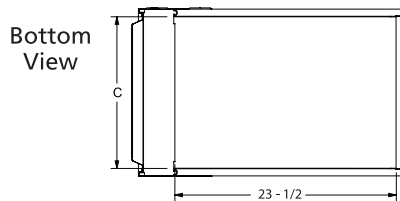
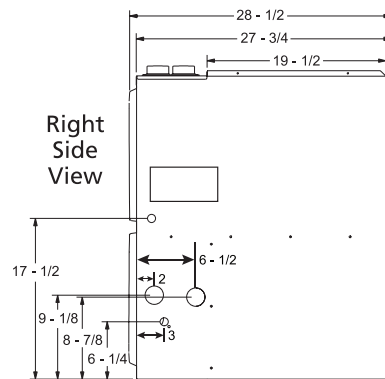
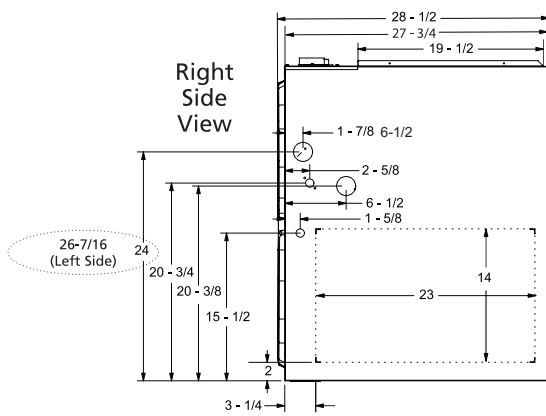
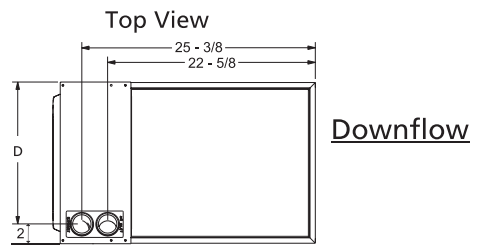
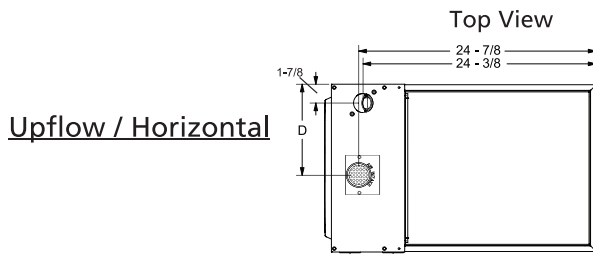
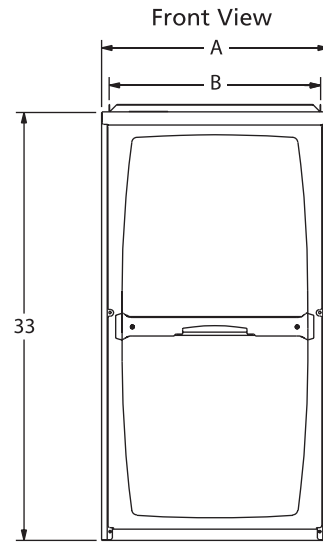
| | Model | Motor Size (hp) | Blower Size | Temp Rise F° | Heating CFM @ 0" - 0.5" w.c. | | | | Cooling Stages | Speed Adjustment | Cooling CFM @ 0" - 0.8" w.c. | | | |
|----------------|----------------|-----------------|--------------------|--------------------|------------------------------|-----------|-----------|------------|----------------|------------------|------------------------------|------------|-------------|--------------|
| | | | | | ** | 40% Input | 70% Input | 100% Input | | | Low | Medium Low | Medium High | High Default |
| | | | | | | | | | | | | | | |
| DOWNFLOW | A97DSMV070B12S | 1/2 HP | 10 x 9 | 50 - 80 Max. Input | +15% | 543 | 830 | 1118 | 2nd Stage | +10% | 910 | 1075 | 1232 | 1366 |
| | | | | | +7.5% | 516 | 778 | 1041 | | Default | 846 | 963 | 1126 | 1267 |
| | | | | | Default | 489 | 726 | 963 | | -10% | 759 | 889 | 986 | 1154 |
| | | | | 35 - 65 Min. Input | +10% | 625 | 788 | 890 | 1st Stage | +10% | 625 | 788 | 890 | 998 |
| | | | | | Default | 573 | 711 | 830 | | 894 | | | | |
| | | | | | -10% | 520 | 619 | 714 | | 822 | | | | |
| | A97DSMV090C16S | 1/2 HP | 10 x 9 | 60 - 90 Max. Input | +15% | 756 | 1033 | 1309 | 2nd Stage | +10% | 924 | 1083 | 1218 | 1386 |
| | | | | | +7.5% | 713 | 971 | 1230 | | Default | 835 | 1000 | 1136 | 1259 |
| | | | | | Default | 669 | 910 | 1150 | | -10% | 751 | 890 | 1028 | 1145 |
| | | | | 35 - 65 Min. Input | +10% | 610 | 771 | 902 | 1st Stage | +10% | 610 | 771 | 902 | 1035 |
| | | | | | Default | 549 | 690 | 808 | | 923 | | | | |
| | | | | | -10% | 466 | 623 | 721 | | 812 | | | | |
| | A97DSMV090C20S | 1 HP | 11 x 11 | 50 - 80 Max. Input | +15% | 728 | 1176 | 1625 | 2nd Stage | +10% | 1337 | 1601 | 1752 | 1982 |
| | | | | | +7.5% | 673 | 1092 | 1512 | | Default | 1225 | 1449 | 1629 | 1830 |
| | | | | | Default | 618 | 1009 | 1399 | | -10% | 1119 | 1269 | 1448 | 1664 |
| | | | | 35 - 65 Min. Input | +10% | 956 | 1114 | 1265 | 1st Stage | +10% | 956 | 1114 | 1265 | 1449 |
| Default | | | | | 855 | 1004 | 1148 | 1286 | | | | | | |
| -10% | | | | | 753 | 888 | 1063 | 1172 | | | | | | |
| A97DSMV110C20S | 1 HP | 11 x 11 | 50 - 80 Max. Input | +15% | 906 | 1475 | 2045 | 2nd Stage | +10% | 1337 | 1583 | 1792 | 2011 | |
| | | | | +7.5% | 835 | 1380 | 1926 | | Default | 1222 | 1440 | 1629 | 1867 | |
| | | | | Default | 764 | 1285 | 1807 | | -10% | 1098 | 1273 | 1473 | 1678 | |
| | | | 35 - 65 Min. Input | +10% | 922 | 1093 | 1264 | 1st Stage | +10% | 922 | 1093 | 1264 | 1442 | |
| | | | | Default | 830 | 965 | 1129 | | 1289 | | | | | |
| | | | | -10% | 738 | 860 | 1034 | | 1156 | | | | | |

Note:

** See installation instructions for proper blower set up

DIMENSIONS (IN.)

| | Model | A | B | C | D |
|-------------------|----------------|--------|--------|--------|--------|
| UPFLOW/HORIZONTAL | A97USMV070B12S | 17-1/2 | 16-3/8 | 16 | 7-5/8 |
| | A97USMV090C12S | 21 | 19-7/8 | 19-1/2 | 9-3/8 |
| | A97USMV090C16S | 21 | 19-7/8 | 19-1/2 | 9-3/8 |
| | A97USMV090C20S | 21 | 19-7/8 | 19-1/2 | 9-3/8 |
| | A97USMV110C20S | 21 | 19-7/8 | 19-1/2 | 9-3/8 |
| | A97USMV135D20S | 24-1/2 | 23-3/8 | 23 | 11-1/8 |
| DOWNFLOW | A97DSMV070B12S | 17-1/2 | 16-3/8 | 16 | 15-1/2 |
| | A97DSMV090C16S | 21 | 19-7/8 | 19-1/2 | 19 |
| | A97DSMV090C20S | 21 | 19-7/8 | 19-1/2 | 19 |
| | A97DSMV110C20S | 21 | 19-7/8 | 19-1/2 | 19 |



ACCESSORY LIST

| CATALOG NUMBER | DESCRIPTION |
|---|-------------------------------------|
| EXTERNAL FILTER RACK KITS | |
| 1.841018 | 1 pack (16 x 25) |
| 1.841039 | 10 pack (16 x 25) |
| NATURAL TO LP KITS | |
| 68W77 | Modulating 97% (includes gas valve) |
| RETURN AIR BASE | |
| 68W62 | 17.5" B Width |
| 68W63 | 21.0" C Width |
| 68W64 | 24.5" D Width |
| DOWNFLOW COMBUSTIBLE FLOORING BASE | |
| 11M60 | 17.5" B Width |
| 11M61 | 21.0" C Width |
| NIGHT SERVICE KITS | |
| 89W52 | Modulating |
| HORIZONTAL SUSPENSION KIT | |
| 51W10 | 80% & 90% Kit |
| FLUSH MOUNT TERMINATION (90% FURNACES ONLY) US ONLY | |
| 51W11 | 2" & 3" Vent Version |
| CONCENTRIC VENT KIT (90% FURNACES ONLY) US ONLY | |
| 71M80 | 1-1/2" Vent Version |
| 69M29 | 2" Vent Version |
| 60L46 | 3" Vent Version |

For vent length and clearances to combustibles, please reference installation instructions.



1-800-448-5872

All specifications and illustrations subject to change without notice and without incurring obligations.